



MARCH PUMPS

1819 PICKWICK AVE., GLENVIEW, IL 60026-1306, U.S.A
 PHONE: (847) 729-5300 - FAX: (847) 729-7062
 WWW.MARCHPUMP.COM

TE-5C-MD, TE-5A-MD, TE-5K-MD

DESCRIPTION:

Series 5 are centrifugal magnetic drive pumps, eliminating the need for a shaft seal. All are serviceable with a screwdriver.

OPERATION:

Pumps are not self-priming, lack a suction lift, and thus require a **flooded suction**. Pumps **cannot be run dry** because the impeller requires the liquid being pumped for lubrication. For liquids with a specific gravity greater than water, have a higher viscosity, or for elevated temperatures, a trimmed impeller may be necessary. For application assistance, contact March Pump.

ELECTRICAL:

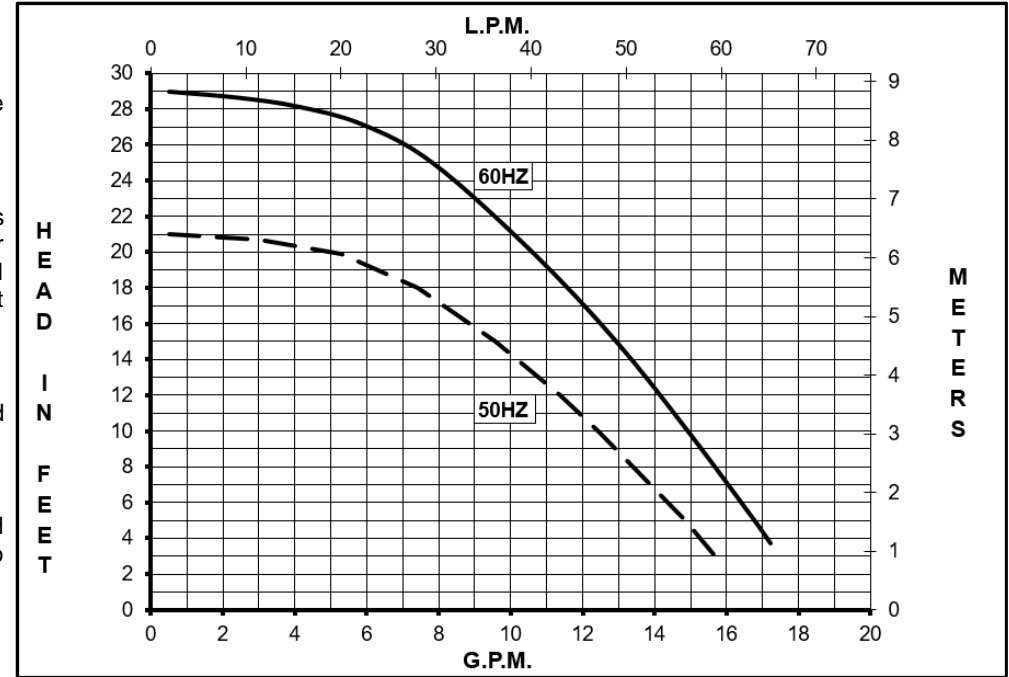
Models are dual voltage 115 Volt / 230 Volt and have a conduit box. Models have U.L. listed motors, which are rated for continuous duty.

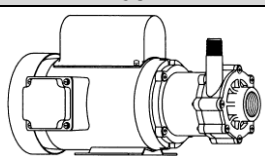
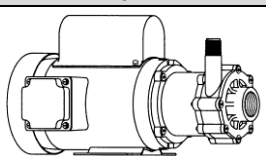
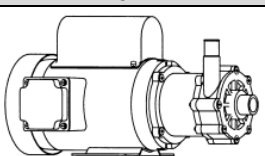
LIMITED WARRANTY:

March pumps are guaranteed only against defects in workmanship or materials for a period of one year from date of manufacture pumping water. For the complete warranty and to register online go to www.marchpump.com/warranty-registration

Model Abbreviations:

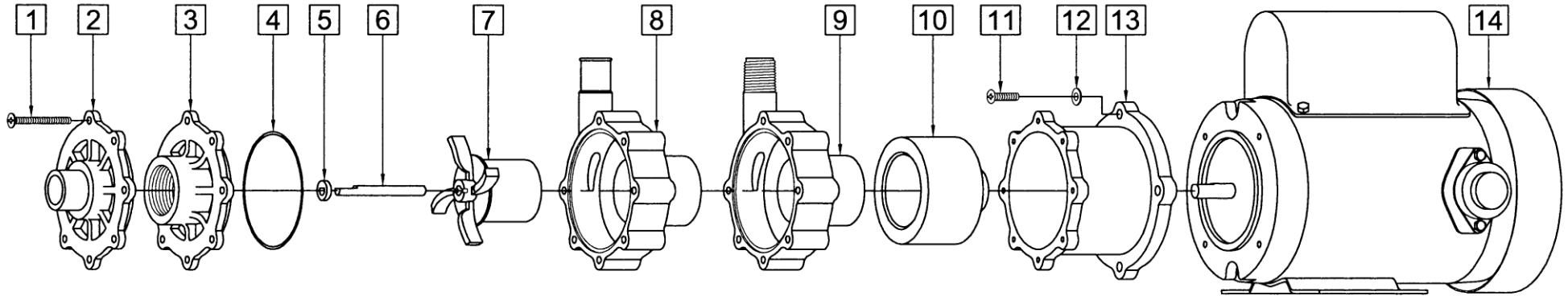
C/K: Threaded Inlet/Outlet, A: Smooth Inlet/Outlet, K: Kynar,
 TE: Totally Enclosed Fan Cooled



SPECIFICATIONS	TE-5C-MD										TE-5K-MD										TE-5A-MD									
																														
Product #	0150-0026-0300										0150-0026-0700										0150-0160-0100									
Inlet - Outlet	1" FPT - 1/2" MPT										1" FPT - 1/2" MPT										1" OD - 3/4" OD									
Max Internal Pressure	50 psi (344 kPa)										75 psi (517 kPa)										50 psi (344 kPa)									
Max Liquid Temperature	190 °F (87 °C)										200 °F (93 °C)										190 °F (87 °C)									
MODEL	60 Hz					ELECTRICAL					50 Hz					ELECTRICAL					Height		Width		Length		Packed Weight			
	gpm	lpm	ft	psi	m	Ph	V	A	Hp	kW	Rpm	gpm	lpm	ft	psi	m	Ph	V	A	Hp	kW	Rpm	Inches	cm	Inches	cm	Inches	cm	lbs	kg
TE-5C-MD	18	68.1	29	12.6	8.85	1	115	2.10	0.2	0.149	3450	15.9	60.5	20.7	8.96	6.3	1	110	2.2	0.2	0.149	2850	7.19	18.2	8.02	20.3	13	33.0	22.50	10.20
TE-5K-MD	18	68.1	29	12.6	8.85	1	115	2.10	0.2	0.149	3450	15.9	60.5	20.7	8.96	6.3	1	110	2.2	0.2	0.149	2850	7.19	18.2	8.02	20.3	13	33.0	22.70	10.29
TE-5A-MD	18	68.1	29	12.6	8.85	1	115	2.10	0.2	0.149	3450	15.9	60.5	20.7	8.96	6.3	1	110	2.2	0.2	0.149	2850	7.19	18.2	8.02	20.3	13.56	34.4	22.50	10.20

All specifications & data are based on pumping water & are intended as a guideline only. Specifications may vary with different motors.

PARTS LIST



When attaching the Drive Magnet to motor shaft, position the face of the Drive Magnet 3/32 inch below the face of the Motor Bracket.

#	DESCRIPTION	MATERIAL	SIZE (Inches)	QTY.	PART #		
					TE-5C-MD	TE-5A-MD	TE-5K-MD
1	Screw	Stainless	#8-32 x 1-3/4 Lg.	7			0150-0021-1000
2	Cover	Polypropylene	1 OD Inlet	1			0150-0150-1000
3A	Cover	Polypropylene	1 FPT Inlet	1	0150-0032-1000		
3B	Cover	Kynar/Glass	1 FPT Inlet	1			0150-0124-1000
4A	"O" Ring	Viton	0.078 CS x 2.834 ID	1			0750-0986-1000
4B	"O" Ring (Option)	Viton/Teflon	0.078 CS x 2.893 ID	1			0150-0212-1000
4C	"O" Ring (Option)	Buna N	0.078 CS x 2.834 ID	1			0750-0987-1000
5	Thrust Washer	Ceramic		1			0130-0028-1000
6	Shaft	Ceramic		1			0130-0024-1000
7A	Impeller	Polypropylene		1			0150-0098-0200
7B	Impeller w/Carbon Bushing (Option)			1			0150-0098-0300
7C	Impeller w/Mica Teflon Bushing (Option)			1			0150-0098-0500
7D	Impeller	Kynar/Glass		1			0150-0125-0200
7E	Impeller w/Carbon Bushing (Option)			1			0150-0125-0300
7F	Impeller w/Mica Teflon Bushing (Option)			1			0150-0125-0500
8	Rear Housing w/Ceramic Thrust Washer	Polypropylene	3/4 OD Outlet	1			0150-0159-0100
9A	Rear Housing w/Ceramic Thrust Washer	Polypropylene	1/2 MPT Outlet	1	0150-0031-0100		
9B	Rear Housing w/Ceramic Thrust Washer	Kynar/Glass	1/2 MPT Outlet	1			0150-0123-0100
10	Drive Magnet			1			0150-0176-0300
11	Screw	Stainless	#10-32 x 3/4 Lg.	4			0150-0050-1000
12	Washer	Stainless	#10	4			0150-0051-1000
13	Motor Bracket	Plastic		1			0150-0070-0100
14	Motor, TEFC, 115/230 V, 50/60 Hz			1			0150-0090-1000
W1	Wet End Kit (TE-5C-MD)	Items (1, 3A, 4A, 5, 6, 7A, 9A)		1	0150-0148-0200		
W2	Wet End Kit (TE-5K-MD)	Items (1, 3B, 4A, 5, 6, 7D, 9B)		1			0150-0149-0200

Materials in Contact with Solution:

TE-5C-MD: Polypropylene, Viton, Ceramic

TE-5A-MD: Polypropylene, Viton, Ceramic

TE-5K-MD: Kynar/Glass Filled, Viton, Ceramic

Explosion proof & special voltage motors are available for TE-5C-MD, TE-5A-MD, & TE-5K-MD upon special order.

NOTE: Contact Factory for other materials and/or parts not listed.

0150-0060-1000 R35