



MARCH PUMPS

1819 PICKWICK AVE., GLENVIEW, IL 60026-1306, U.S.A
 PHONE: (847) 729-5300 - FAX: (847) 729-7062
 WWW.MARCHPUMP.COM

DESCRIPTION:

Series 5.5 are centrifugal magnetic drive pumps, eliminating the need for a shaft seal. Pumps can be serviced with a screwdriver. Screws should be tightened in sequence and uniformly. Do not over tighten the screws or you may crush the plastic housing bosses. See the parts list for a breakdown of parts.

Model Abbreviations: C: Polypropylene, K: Kynar, S: Stainless Steel

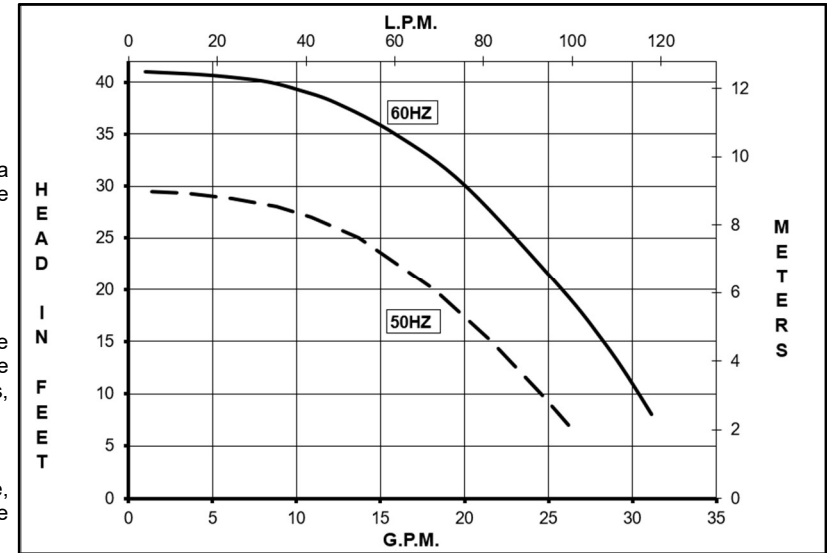
OPERATION:

Pumps are not self-priming, lack a suction lift, and thus require a **flooded suction**. Pumps **cannot be run dry** because the impeller requires the liquid being pumped for lubrication. The direction of motor rotation should be clockwise when facing the inlet of the pump. For liquids with a specific gravity greater than water, have a higher viscosity, or for elevated temperatures, a trimmed impeller may be necessary. For application assistance, contact March Pump.

ELECTRICAL:

TE-5.5-MD pumps are dual voltage 115/230, 1 phase 50/60 Hz or dual voltage 230/460 60 Hz (190/380 50 Hz), 3 phase, TEFC. Motors are totally enclosed fan cooled and are U.L. listed as well as rated for continuous operation. All motors have a conduit box for electrical connections.

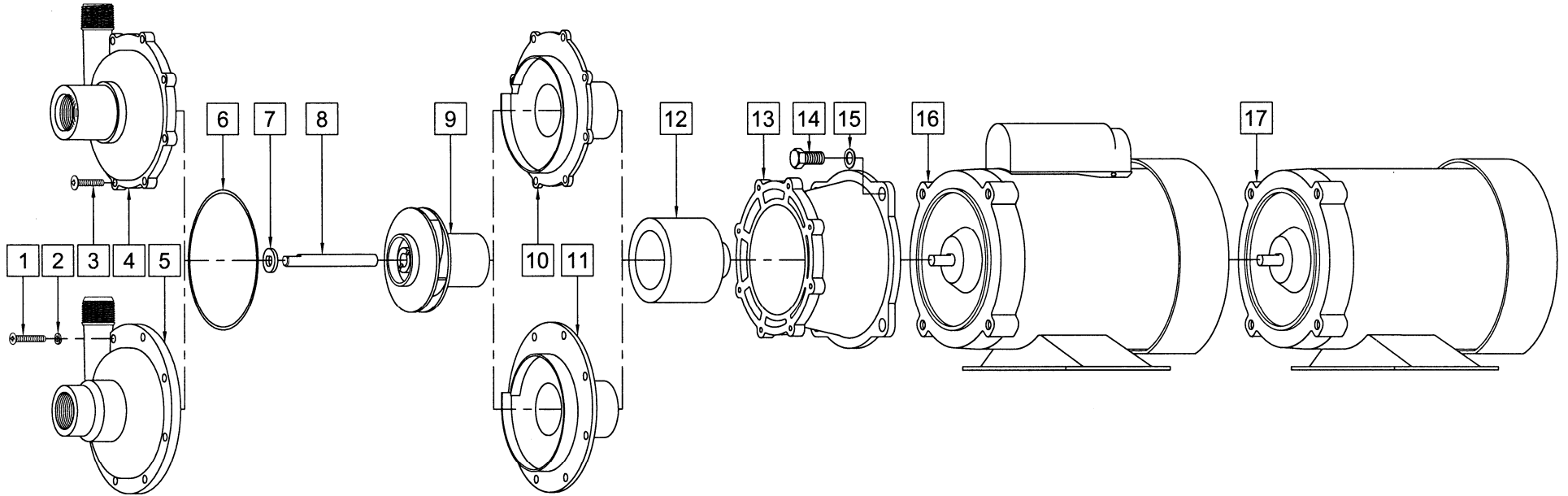
TE-5.5C-MD, TE-5.5K-MD, TE-5.5S-MD



SPECIFICATIONS	TE-5.5C-MD											TE-5.5K-MD											TE-5.5S-MD																						
	Product #		1 Phase		0151-0027-0100									3 Phase		0151-0027-0800									1 Phase		0151-0002-0100									3 Phase		0151-0002-0400							
Inlet - Outlet		1" FPT - 3/4" MPT		1" FPT - 3/4" MPT									1" FPT - 3/4" MPT		1" FPT - 3/4" MPT									1" FPT - 3/4" MPT		1" FPT - 3/4" MPT																			
Max Internal Pressure		50 psi (344 kPa)		50 psi (344 kPa)									75 psi (517 kPa)		75 psi (517 kPa)									200 psi (1378 kPa)		200 psi (1378 kPa)																			
Max Liquid Temperature		190 °F (87 °C)		190 °F (87 °C)									200 °F (93 °C)		200 °F (93 °C)									250 °F (121 °C)		250 °F (121 °C)																			
MODEL	60 Hz											50 Hz											Height		Width		Length		Packed Weight																
	Max Flow		Max Head			ELECTRICAL						Max Flow		Max Head			ELECTRICAL						Inches	cm	Inches	cm	Inches	cm	lbs	kg															
	gpm	lpm	ft	psi	m	Ph	V	A	Hp	kW	Rpm	gpm	lpm	ft	psi	m	Ph	V	A	Hp	kW	Rpm																							
TE-5.5C-MD	30	114	41	17.8	12.5	1	115	4.4	1/3	0.25	3450	27	102	29.5	12.8	9	1	115	4.4	1/3	0.25	2850	7.79	19.7	7.65	19.4	14.25	36.1	23.40	10.61															
	30	114	41	17.8	12.5	3	230	1.2	1/3	0.25	3450	27	102	29.5	12.8	9	3	190	1.2	1/3	0.25	2850	7.34	18.6	9.24	23.4	15.07	38.2	27.60	12.51															
TE-5.5K-MD	30	114	41	17.8	12.5	1	115	4.4	1/3	0.25	3450	27	102	29.5	12.8	9	1	115	4.4	1/3	0.25	2850	7.79	19.7	7.65	19.4	14.25	36.1	23.80	10.79															
	30	114	41	17.8	12.5	3	230	1.2	1/3	0.25	3450	27	102	29.5	12.8	9	3	190	1.2	1/3	0.25	2850	7.34	18.6	9.24	23.4	15.07	38.2	28.05	12.72															
TE-5.5S-MD	30	114	41	17.8	12.5	1	115	4.4	1/3	0.25	3450	27	102	29.5	12.8	9	1	115	4.4	1/3	0.25	2850	7.79	19.7	7.65	19.4	14.25	36.1	28.55	12.95															
	30	114	41	17.8	12.5	3	230	1.2	1/3	0.25	3450	27	102	29.5	12.8	9	3	190	1.2	1/3	0.25	2850	7.34	18.6	9.24	23.4	15.07	38.2	32.80	14.87															

All specifications & data are based on pumping water & are intended as a guideline only. Specifications may vary with different motors.

PARTS LIST



NOTE: When attaching the Drive Magnet to the motor shaft, position the face of the Drive Magnet flush with the face of the Motor Bracket.

#	DESCRIPTION	TE-5.5C-MD	TE-5.5K-MD	TE-5.5S-MD	SIZE (Inches)	QTY.	TE-5.5C-MD	TE-5.5K-MD	TE-5.5S-MD
1	Screw		Stainless		#10-32 x 1-1/8 Lg.	8			0135-0181-1000
2	Lock Washer		Stainless		#10	8			0151-0016-1000
3	Screw		Stainless		#10-32 x 1 Lg.	8	0135-0180-1000		
4	Front Housing	Polypropylene	Kynar			1	0151-0027-1000	0151-0044-1000	
5	Front Housing			316 Stainless		1			0151-0002-0001
6	"O" Ring		Viton		3/32 CS x 4-7/16 OD	1		0153-0015-1000	
	"O" Ring		Viton/Teflon (Option)		3/32 CS x 4-7/16 OD	1		0153-0024-1000	
7	Thrust Washer		Ceramic			1		0155-0009-1000	
8	Shaft		Ceramic			1		0153-0007-1000	
9	Impeller	Polypropylene	Kynar			1	0151-0029-0500	0151-0046-0300	
	Impeller w/Carbon Bushing	Polypropylene (Option)	Kynar (Option)	316 Stainless		1	0151-0029-0800	0151-0046-0500	0151-0001-0400
	Impeller w/Mica Teflon Bushing	Polypropylene (Option)	Kynar (Option)	316 Stainless (Option)		1	0151-0029-1300	0151-0046-1100	0151-0001-0800
10	Rear Housing w/Ceramic Thrust Washer	Polypropylene	Kynar			1	0151-0028-0100	0151-0045-0100	
11	Rear Housing			316 Stainless		1			0151-0003-0000
12	Drive Magnet					1		0151-0061-0200	
13	Motor Bracket		Plastic			1		0151-0090-0100	
14	Screw		Stainless		3/8-16 x 3/4 Lg.	4		0155-0017-1000	
15	Washer		Stainless		3/8 ID x 5/8 OD	4		0155-0019-1000	
16	Motor, TEFC, 115/230 V 50/60 Hz, 1 Phase					1		0151-0015-1000	
17	Motor, TEFC, 230/460 V 60 Hz (190/380 V 50 Hz), 3 Phase					1		0151-0039-1000	
W	TE-5.5C-MD Wet End Kit		3, 4, 6, 7, 8, 9, 10			1	0151-0069-0100		
	TE-5.5K-MD Wet End Kit		3, 4, 6, 7, 8, 9, 10			1		0151-0070-0100	

Materials in Contact with Solution:

TE-5.5C-MD: Polypropylene, Viton, Ceramic | **TE-5.5K-MD:** Kynar/Glass Filled, Viton, Ceramic | **TE-5.5S-MD:** 316 Stainless Steel, Viton, Ceramic, Carbon

LIMITED WARRANTY: March pumps are guaranteed only against defects in workmanship or materials for a period of one year from date of manufacture pumping water. For the complete warranty and to register online go to www.marchpump.com/warranty-registration

NOTE: Contact Factory for other materials and/or parts not listed.

Explosion proof and special voltage motors are available upon special order.

0151-0026-1000 R27