



# MARCH PUMPS

1819 PICKWICK AVE., GLENVIEW, IL 60026-1306, U.S.A  
 PHONE: (847) 729-5300 - FAX: (847) 729-7062  
 WWW.MARCHPUMP.COM

## DESCRIPTION:

Series 6 are centrifugal magnetic drive pumps, eliminating the need for a shaft seal. Pumps can be serviced with an adjustable wrench. See the parts list for a breakdown of parts.

**Model Abbreviations:** T: Ryton & Polypropylene, K: Kynar, P: Polypropylene

## OPERATION:

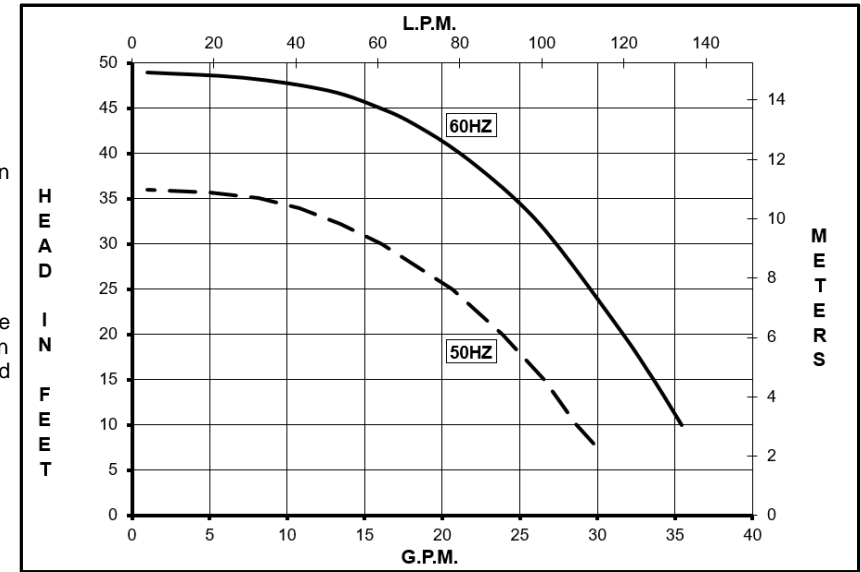
Pumps are not self-priming, lack a suction lift, and thus require a **flooded suction**. Pumps **cannot be run dry** because the impeller requires the liquid being pumped for lubrication. The direction of motor rotation should be clockwise when facing the inlet of the pump. For liquids with a specific gravity greater than water, have a higher viscosity, or for elevated temperatures, a trimmed impeller may be necessary. For application assistance, contact March Pump.

## ELECTRICAL:

TE-6-MD pumps are 115/230 Volt, 50/60 Hz, 1 phase or 230/460 Volt, 50/60 Hz, 3 phase, (Totally Enclosed Fan Cooled Motor). Have a Conduit Box.

Motors are U.L. listed as well as rated for continuous operation.

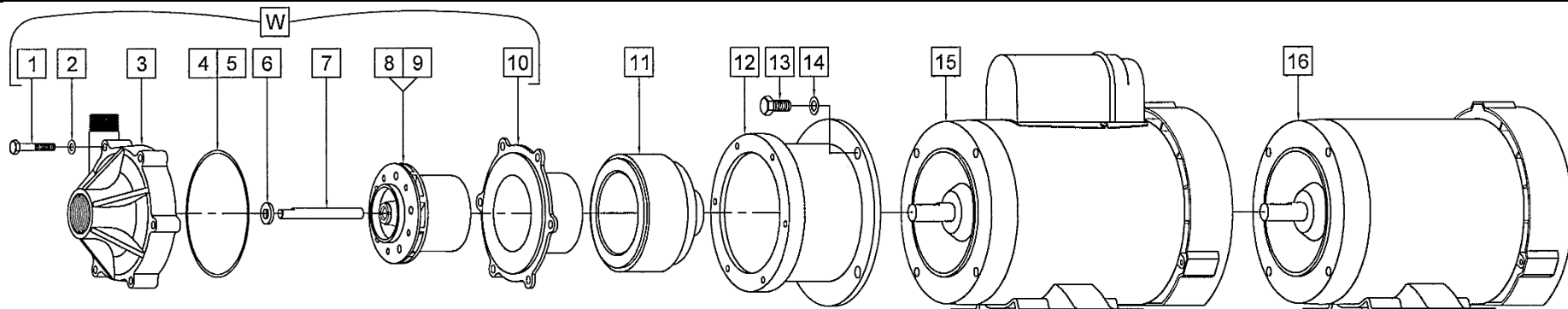
## TE-6K-MD, TE-6T-MD, TE-6P-MD



SPECIFICATIONS		TE-6T-MD											TE-6K-MD											TE-6P-MD										
		Max Flow		Max Head			ELECTRICAL						Max Flow		Max Head			ELECTRICAL						Height		Width		Length		Packed Weight				
MODEL		gpm	lpm	ft	psi	m	Ph	V	A	Hp	kW	Rpm	gpm	lpm	ft	psi	m	Ph	V	A	Hp	kW	Rpm	Inches	cm	Inches	cm	Inches	cm	lbs	kg			
TE-6T-MD	1 Phase	38	144	49	21.2	14.9	1	115	7.4	1/2	0.373	3450	30	113.5	36	15.6	11	1	115	8.4	3/8	0.280	2850	8.94	22.7	8.96	22.7	15.78	40.0	28.85	13.08			
	3 Phase	38	144	49	21.2	14.9	3	230	1.5	1/2	0.373	3450	30	113.5	36	15.6	11	3	230	1.7	1/2	0.373	2850	7.34	18.6	8.96	22.7	15.28	38.8	28.20	12.79			
TE-6K-MD	1 Phase	38	144	49	21.2	14.9	1	115	7.4	1/2	0.373	3450	30	113.5	36	15.6	11	1	115	8.4	3/8	0.280	2850	8.94	22.7	8.96	22.7	15.78	40.0	28.60	12.97			
	3 Phase	38	144	49	21.2	14.9	3	230	1.5	1/2	0.373	3450	30	113.5	36	15.6	11	3	230	1.7	1/2	0.373	2850	7.34	18.6	8.96	22.7	15.28	38.8	27.95	12.67			
TE-6P-MD	1 Phase	38	144	49	21.2	14.9	1	115	7.4	1/2	0.373	3450	30	113.5	36	15.6	11	1	115	8.4	3/8	0.280	2850	8.94	22.7	8.96	22.7	15.78	40.0	28.85	13.08			
	3 Phase	38	144	49	21.2	14.9	3	230	1.5	1/2	0.373	3450	30	113.5	36	15.6	11	3	230	1.7	1/2	0.373	2850	7.34	18.6	8.96	22.7	15.28	38.8	28.20	12.79			

All specifications & data are based on pumping water & are intended as a guideline only. Specifications may vary with different motors.

## PARTS LIST



#	DESCRIPTION	MATERIAL			SIZE (Inches)	QTY.	PART #		
		TE-6T-MD	TE-6K-MD	TE-6P-MD			TE-6T-MD	TE-6K-MD	TE-6P-MD
1	Screw		Stainless		1/4-20 x 1-3/4 Lg.	6			0153-0064-1000
2	Washer		Stainless		1/4 ID x 1/2 OD	6			0155-0021-1000
3	Front Housing w/Inlet & Outlet	Ryton	Kynar	Polypropylene		1	0153-0002-1000	0153-0042-1000	0153-0052-1000
4	"O" Ring		Viton		3/32 CS x 4-7/16 OD	1			0153-0015-1000
5	"O" Ring (Option)		Viton/Teflon		3/32 CS x 4-7/16 OD	1			0153-0024-1000
6	Thrust Washer		Ceramic			1			0155-0009-1000
7	Shaft		Ceramic			1			0153-0007-1000
8	Impeller w/Ryton/Teflon/Carbon Bushing		Polypropylene			1	0153-0003-0400		0153-0003-0400
8A	Impeller w/Carbon Bushing (Option)		Polypropylene			1	0153-0003-0500		0153-0003-0500
8B	Impeller w/Mica Teflon Bushing (Option)		Polypropylene			1	0153-0003-0900		0153-0003-0900
9	Impeller w/Carbon Bushing		Kynar			1		0153-0043-0500	
9A	Impeller w/Ryton/Teflon/Carbon Bushing (Option)		Kynar			1		0153-0043-0400	
9B	Impeller w/Mica Teflon Bushing (Option)		Kynar			1		0153-0043-0900	
10	Rear Housing w/Ceramic Thrust Washer	Ryton	Kynar	Polypropylene		1	0153-0005-0100	0153-0041-0100	0153-0072-0100
11	Drive Magnet					1			0153-0035-0100
12	Motor Bracket		Aluminum			1			0153-0093-0010
13	Screw		Stainless		3/8-16 x 3/4 Lg.	4			0155-0017-1000
14	Washer		Stainless		3/8 ID x 5/8 OD	4			0155-0019-1000
15	Motor, TEFC, 115/230 V, 50/60 Hz, 1 Phase					1			0153-0019-1000
16	Motor, TEFC, 230/460 V, 50/60 Hz, 3 Phase					1			0153-0020-1000
W	Wet End Kit #'s 1, 2, 3, 4, 6, 7, 8, 10					1	0153-0056-0100		
W	Wet End Kit #'s 1, 2, 3, 4, 6, 7, 9, 10					1		0153-0057-0100	
W	Wet End Kit #'s 1, 2, 3, 4, 6, 7, 8, 10					1			0153-0096-0100

**Materials in Contact with Solution:**

**TE-6T-MD:** Polypropylene, Ryton, Viton, Ceramic, Ryton/Teflon/Carbon  
**TE-6K-MD:** Kynar/Carbon Filled, Viton, Ceramic, Carbon  
**TE-6P-MD:** Polypropylene, Viton, Ceramic, Ryton/Teflon/Carbon

**NOTE:** When replacing impeller bushings in the field, the plastic bushings must be bored to size after they have been pressed into the impeller. Bore to 0.379/0.381 inches I.D. The carbon and ceramic bushings are to finished size and do not require boring after assembly. When attaching the Drive Magnet to the motor shaft, position the face of the Drive Magnet 3/32 inch below the face of the Motor Bracket.

**LIMITED WARRANTY:**

March pumps are guaranteed only against defects in workmanship or materials for a period of one year from date of manufacture pumping water. For the complete warranty and to register online go to [www.marchpump.com/warranty-registration](http://www.marchpump.com/warranty-registration)

**NOTE:** Contact Factory for other materials and/or parts not listed.

Explosion proof and special voltage motors are available upon special order.

0153-0018-1000 R26