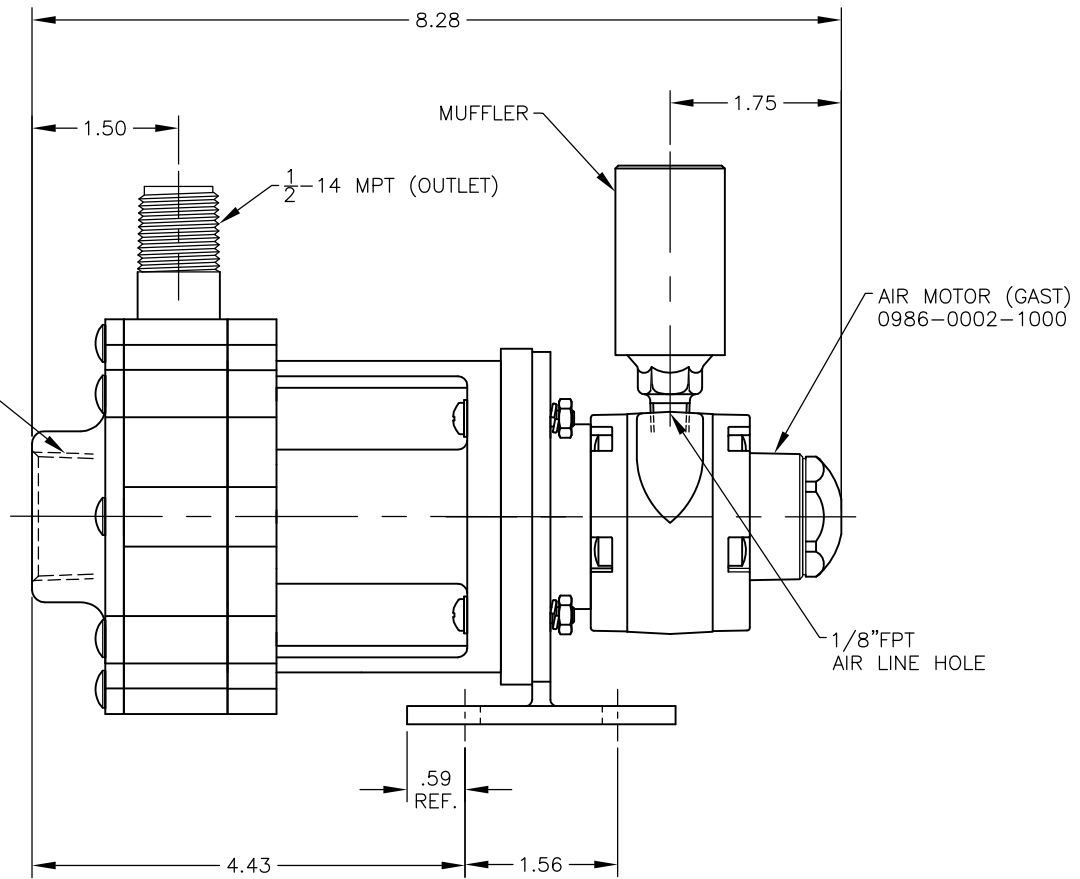


1-1 1/2 FPT
(INLET)



UNLESS NOTED
OTHERWISE
ALL DIMS. ARE
IN INCHES.

DIMS. I.O.L.
0.00 ±0.005
0.00 ±0.03
FRACTIONS ±1/64
ANGLES ±1°

MARCH MFG. INC.

1819 PICKWICK AVE.

GLENVIEW, ILLINOIS

DRAWN
BY HANS

CHKD
BY JERRY

FINISH

DRWG
SIZE C-17x22

DATE 4/12/07

DATE 4/12/07

MOLD
NO.

TOOL
NO.

FIXTURE
NO.

D	HZ	4/12/07	Redrawn in autocad.
REV.	INITIALS	DATE	E.C.O.
			CHANGE

THIS DOCUMENT DISCLOSED SUBJECT MATTER IN WHICH MARCH MFG. INC. HAS PROPRIETARY RIGHTS, NEITHER RECEIPT NOR POSSESSION THEREOF CONFERS OR TRANSFERS ANY RIGHT TO REPRODUCE OR DISCLOSE THE DOCUMENT, ANY PART THEREOF, ANY INFORMATION CONTAINED THEREIN, OR ANY PHYSICAL ARTICLE OR DEVICE OR TO PRACTICE ANY METHOD OR PROCESS, EXCEPT BY WRITTEN PERMISSION FROM OR WRITTEN AGREEMENT WITH MARCH MFG. INC.

CUSTOMER

MATERIAL

PART
NAME Dimensional Assy BC-4C-MD-AM

PART
NO. 0145-0010-0600 d1 REV. D